

Smart Toilet Installation Manual

- Thank you for choosing our products. Please read the instructions carefully before installation and keep it available for future maintenance or reference.
- The internal images in the manual are for reference only, and the actual product shall prevail.

CONTENTS



Installation	02
Cautions And Warnings	02
Technical Specification	07
Packing List	08
Part List	09
DIMENSIONS	10
Toilet Installation	11
Before Using	16
Function Description	17
<hr/>	
Maintenance	20
Daily Maintenance	20
<hr/>	
Others	21
Troubleshooting Guide	21
Warranty Instructions	22







CAUTIONS AND WARNINGS

This appliance is not intended for use by persons (including children) with reduced physical, sensory or mental capabilities, or lack of experience and knowledge, unless they have been given supervision or instruction concerning use of the appliance by a person responsible for their safety.

Please read this statement thoroughly and ensure its proper use.
Strictly adhere to all written cautions and warnings provided.

Meaning of the Marks:

-  **DON'T:** This symbol indicates a prohibited use of the product.
-  **MUST:** This symbol is used to indicate a required step in the use of this product.

 	<p>Never disassemble, repair or alter. Do not use tools in areas other than designated in this manual.</p> <ul style="list-style-type: none"> • Doing so may cause fire, electrical shock, overheating, short circuit or equipment failure.
 	<p>Do not get any water or cleaning solution on the main unit or connection of power cord.</p> <ul style="list-style-type: none"> • Doing so may cause fire, electrical shock, heat or short circuit. • Doing so may cause the product to crack resulting in injury or water damage.
 	<p>Do not use the product if a malfunction occurs.</p> <ul style="list-style-type: none"> • In case of malfunction or other problems, be sure to cut off power by switching to OFF. Close the water shut off valve to stop water supply. <p>Possible malfunctions:</p> <ul style="list-style-type: none"> • Water is leaking from a pipe or the main unit. • The product is cracked or broken. • The product makes a strange noise or emits a strange odor. • The product emits smoke. • The product is abnormally hot.

CAUTIONS AND WARNINGS

	<ul style="list-style-type: none"> The toilet seat is out of place. Continued use of the product after a malfunction could result in fire, electrical shock, overheating, short circuit, injury, or water damage.
DON'T	<ul style="list-style-type: none"> Continued use of the smart toilet after a malfunction could result in fire, electrical shock, overheating, short circuit, injury, or water damage. Please contact professionals for assistance.
	<p>Use tap water only.</p> <ul style="list-style-type: none"> Using other types of water may cause irritation to the skin and malfunction of the product.
	<p>Do not use a loose or unstable power socket.</p> <ul style="list-style-type: none"> Doing so may cause fire or electrical shock.
	<p>Insert the power plug into an AC socket rated for 110V to 60Hz and 15A or above. Failure to do so could result in fire or electrical shock.</p> <ul style="list-style-type: none"> If the power exceeds the socket's specification, it may cause overheating and potentially lead to fire.
STOP	<p>Do not perform any actions that may damage the power plug. Avoid striking, yanking, twisting, excessively bending, damaging, altering, or heating the power cords. Additionally, do not place any heavy objects on, bind, or pinch the power cords.</p> <ul style="list-style-type: none"> Using a damaged power cord may result in a fire, electrical shock, heat or short.
	<p>This is an electrical product. Do not install it anywhere water is likely to get on the product or anywhere with humidity high enough that water is likely to form on the surface of this product. When using the product in a bathroom, install a fan or ventilation port and ensure good air flow through the bathroom.</p> <ul style="list-style-type: none"> Failure to do so may cause fire or electrical shock. <p>If the power cord is damaged, it must be replaced by the manufacturer, its service agent, or another qualified professional to avoid hazards.</p>
MUST	

	<p>If the supply cord is damaged, it must be replaced by the manufacturer, its service agent or similarly qualified persons in order to avoid a hazard.</p>
	<p>Children being supervised not to play with the appliance. The appliance is not to be used by persons (including children) with reduced physical, sensory or mental capabilities, or lack of experience and knowledge, unless they have been given supervision or instruction.</p> <ul style="list-style-type: none"> To prevent low-temperature burns, please do not sit on the toilet for a long time.
MUST	
	<p>This appliance must be grounded.</p> <p>Connect this product only to a properly grounded power supply unit (device).</p> <ul style="list-style-type: none"> Improper connection may cause electric shock.
GROUND WIRE	
	<p>Do not raise the toilet seat or lid while objects are resting on top of the unit.</p> <ul style="list-style-type: none"> Doing so may cause the main unit to come loose and fall, resulting in injury. <p>Do not lean on cover when use this device to prevent product from damage.</p>
MUST OBEY	
	<p>Keep cigarettes and other open flames away from the product.</p> <ul style="list-style-type: none"> Failure to do so may cause fire.
NO FIRE	
	<p>Do not apply strong force, mechanical shock, step on or stand on the toilet seat, toilet lid or main unit. Also do not place any heavy objects on the toilet seat, toilet lid or main unit.</p> <ul style="list-style-type: none"> Doing so may cause the main unit to crack or come loose and fall, resulting in injury. Doing so may damage the product and cause injury or water damage.
STOP	
	<p>Never obstruct the warm air openings of the product with fingers or any other items. Ensure that the warm air openings remain unobstructed to prevent electric shock, personal injury, or damage to the product.</p>

CAUTIONS AND WARNINGS



STOP

Do not fold or crush the water supply hose; Or damage by cutting with a sharp object.

- Doing so may cause water leaks.

When maintaining the plastic parts (main unit etc.) or the water supply hose, use a neutral kitchen detergent diluted with water. Do not use any of the following: toilet cleaner, household cleaner, benzene, paint thinner, powdered cleanser, or nylon scrubbing brush.

- These items may damage or crack the plastic, potentially causing injury or malfunction.
- Additionally, these items could damage the water supply hose and result in a water leak.

To prevent a sudden water leak, never remove the water filter drain valve while the shut-off valve is open.

- Doing so will cause water to spurt out unexpectedly.

When installing the water filter drain valve, make sure that it is securely tightened in its proper position.

- Failure to securely tighten it may cause a water leak.

If a water leak occurs, always close the shutoff valve immediately.



MUST OBEY

When the ambient temperature is expected to drop to 0°C or below, take measures to prevent damage to the pipes and hoses due to freezing.

- Frozen water pipes can cause the main unit and connected pipes to crack, potentially resulting in a water leak.
- To avoid this, regulate the room temperature to ensure that the pipes and hoses do not freeze during cold months.
- Failure to properly secure and tighten connections may also cause a water leak.

- Avoid exposing the product to direct sunlight, as this may cause changes in color or malfunction.

- Do not urinate on the main unit, toilet seat, or wand, as this may result in malfunction or discoloration.



MUST OBEY

- Disconnect the power cord during thunderstorms.
- When the product will not be used for a long period of time, close the shutoff valve and then turn off the power to the product.

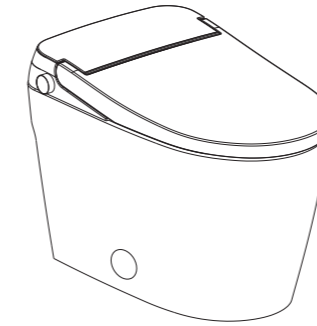
- Use the water supply hose provided with the product. Old water supply hoses cannot be used.

TECHNICAL SPECIFICATIONS

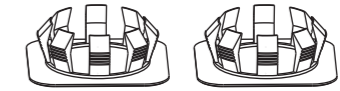
Product Name	Smart Toilet
Rated Voltage	110-120V
Rated Frequency	60Hz
Rated Power	45W
Flush Volume	1.06GPF (4LPF)
Waterproof Level	IPX4
Heated Seat Temperature	4 levels (Room Temperature- 105°F)
Operating Temperature	41-104°F
Supply Water Pressure	11.6-73 PSI (0.08MPa-0.5MPa)
Codes/Standards	ASME A112.4.2-2021/CSA B45.16:21 ASME A112.19.2-2024/CSA B45.1:24

- No further notice will be provided if any technical specifications change due to product improvement or technical updates. All actual technical specifications are subject to the final product.

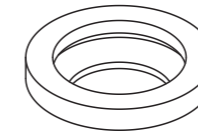
PACKING LIST



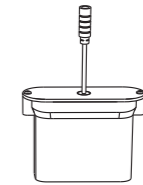
Main Unit



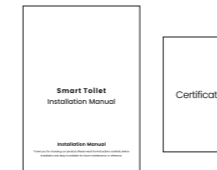
Decorative covers



Wax Ring



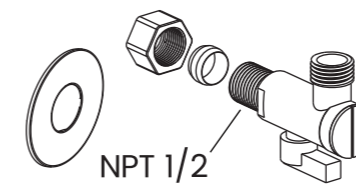
16V Battery Box (Battery excluded)



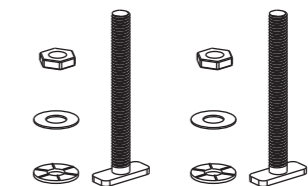
Installation Manual and
Certificate Of Competency



NPT 1/2-to-UNEF 9/16
inch Adapter



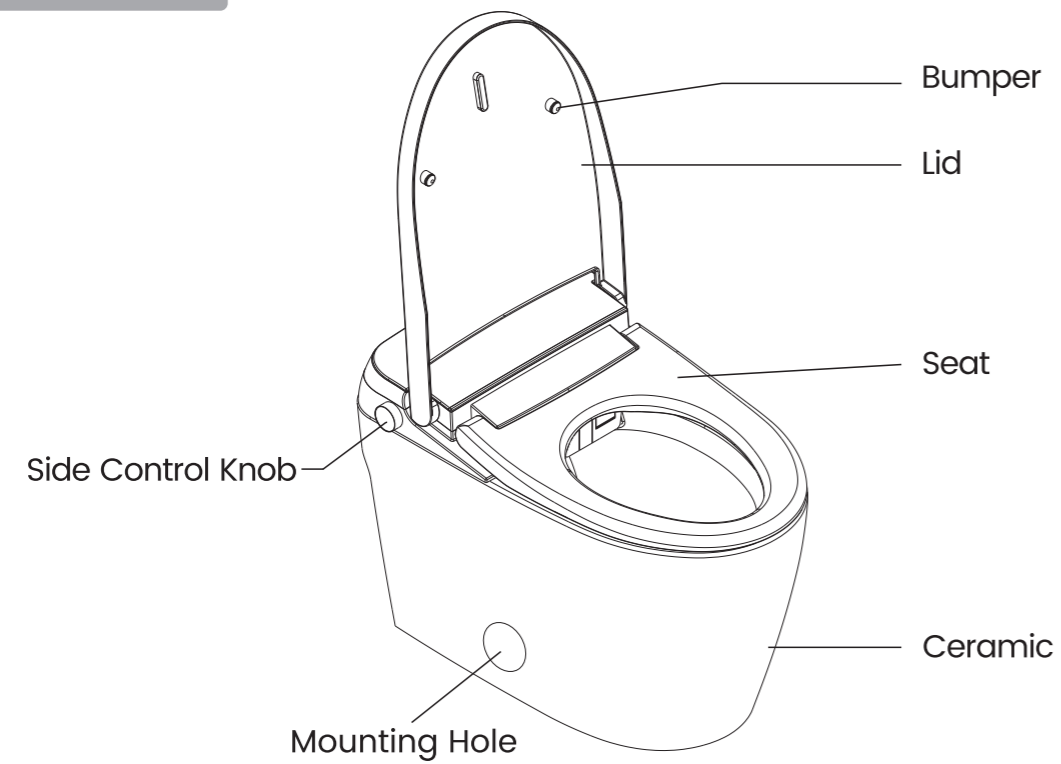
Angle Valve



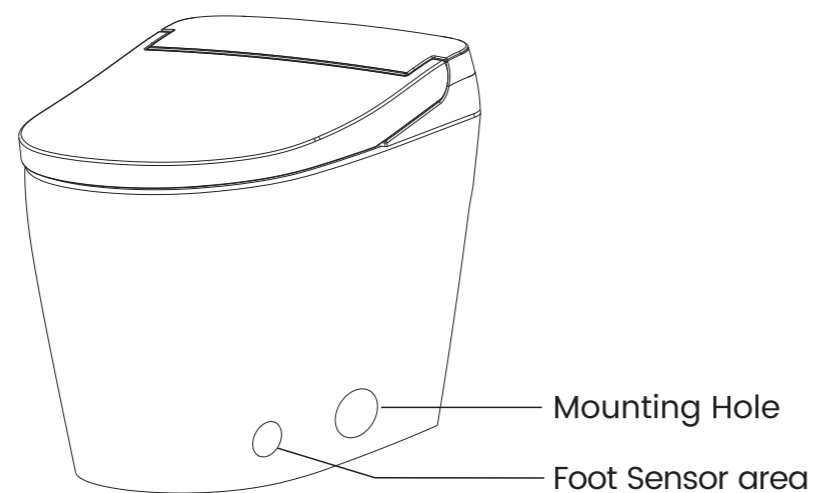
T-bolts

PART LIST

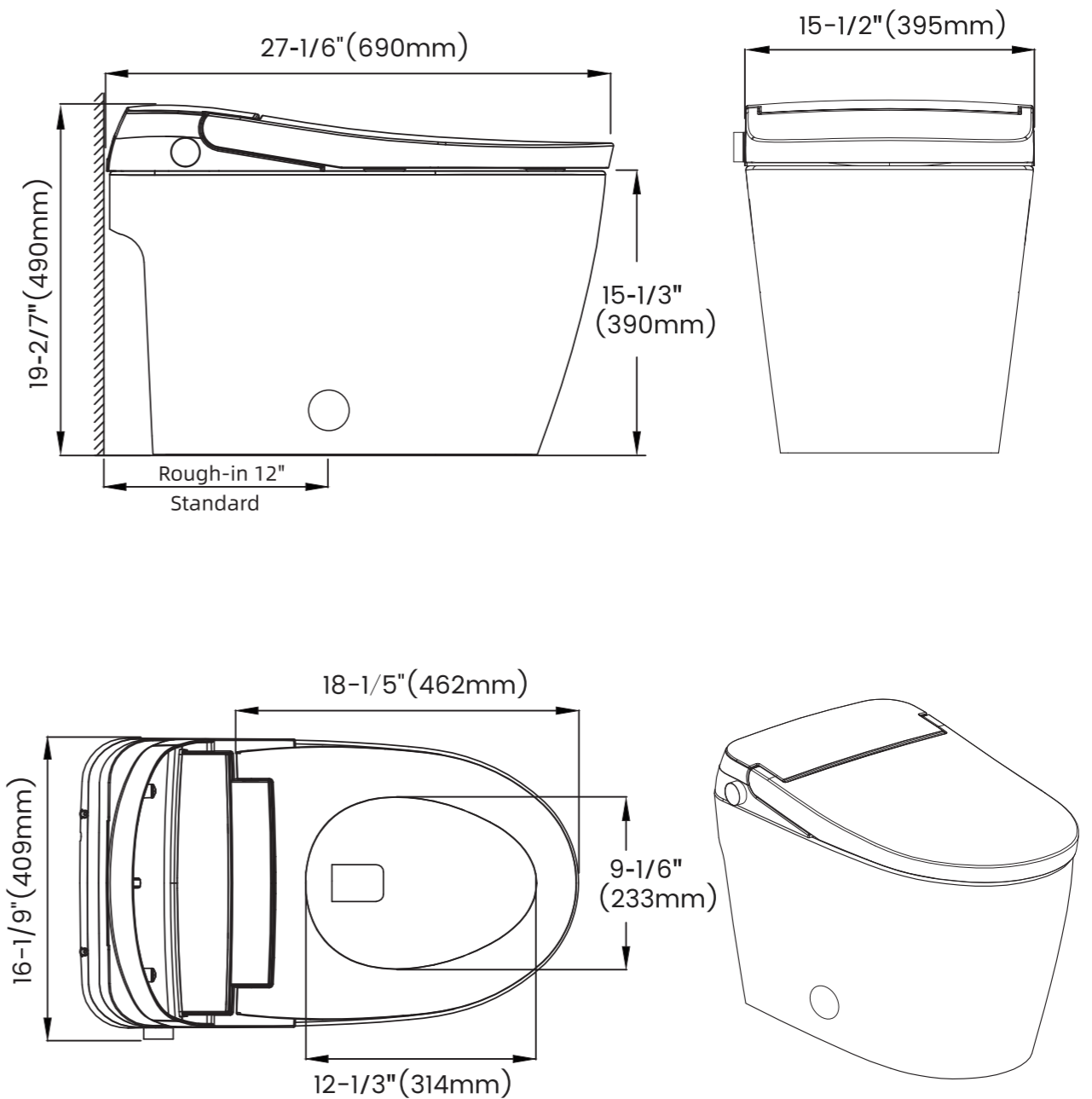
Left side



Right side



DIMENSIONS



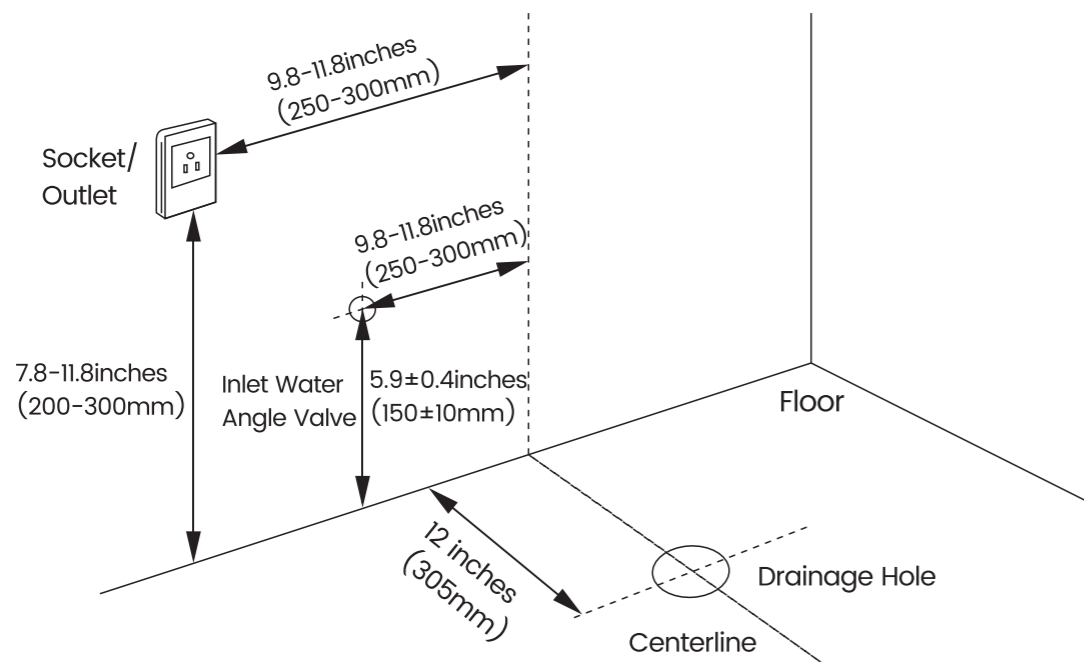
• The product drawing is for reference only, and we reserve the right to modify the appearance of the product. If the appearance of the product is changed, the actual product shall prevail.

TOILET INSTALLATION

Required Tools:



Installation Diagram:



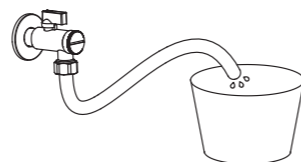
WARNING

Power Outlet Installation Instructions:

- Ensure that the power outlet is properly grounded in accordance with applicable electrical codes.
- The location of the power outlet should be in close proximity to facilitate the installation and disassembly of this product, while also maintaining a safe distance from the bathtub area.
- It is strongly recommended to use a waterproof-type outlet. Do not use extension cords to connect this product. Failure to follow these instructions could result in fire or electrical shock.

Pre-Installation Precautions:

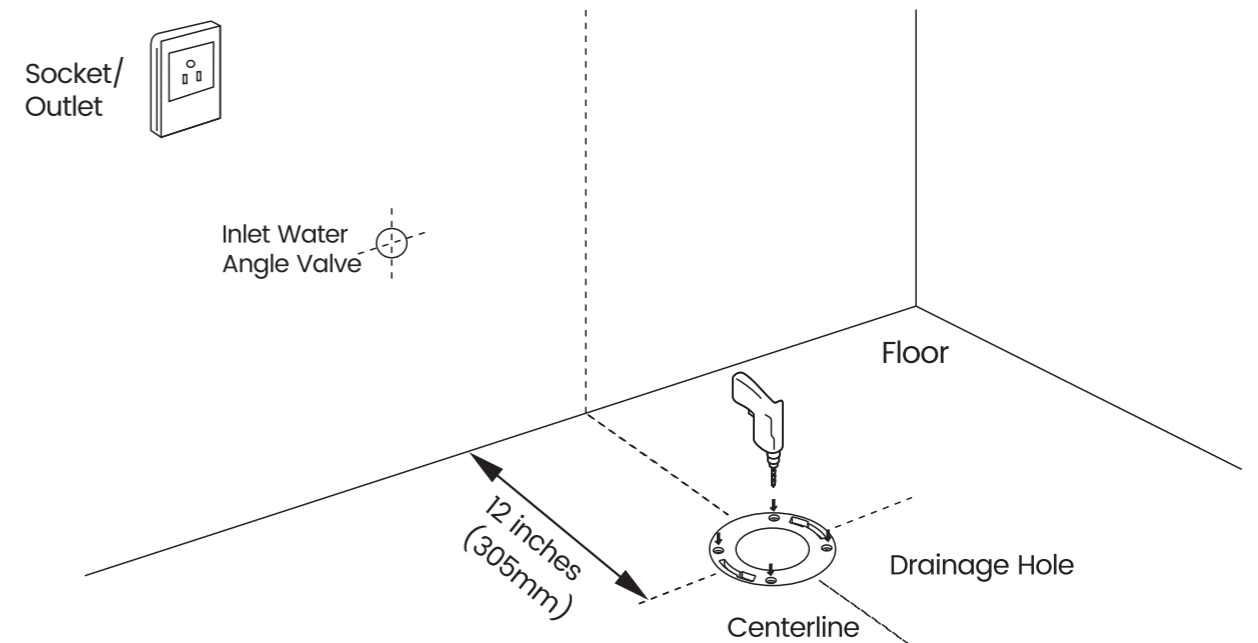
- Before installation, flush the pipe with water for 1 minute to remove any impurities remaining in the pipeline.



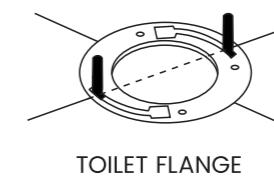
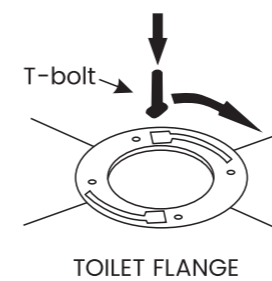
Installation Steps:

1. For a newly installed toilet in the bathroom, a flange plate needs to be added. (Flange plate is not included and installer has to purchase it for proper installation.)

- Place the flange plate into the drainage hole, aligning the arrow on the flange plate with the dashed line on the vertical wall. The center of the flange must align with the center line.
- Use a marker to indicate the positions of the four installation holes on the flange plate.
- Use an electric drill to create four $\varnothing 6\text{mm}$ installation holes on the flange plate. Insert four corresponding plastic anchors.
- Secure the flange plate in place using the provided four screws.



2. Install the floor bolts



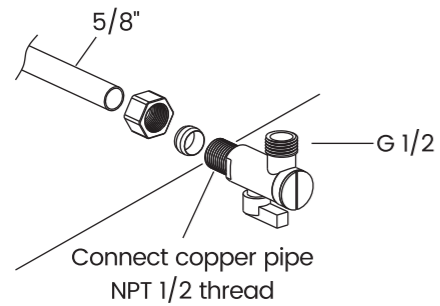
Note: The two screws and the center of the flange must be in a straight line

TOILET INSTALLATION

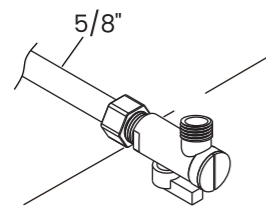
3. Install angle valve

3.1 Installation Method 1:

3.1.1 Remove the copper sleeve and nut from the NPT 1/2 valve.



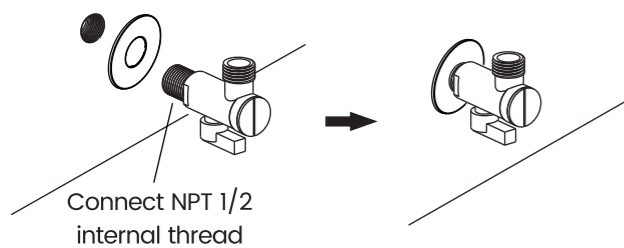
3.1.2 Insert the nut and copper sleeve into the copper tube in sequence, and then tighten the valve.



3.2 Installation Method 2:

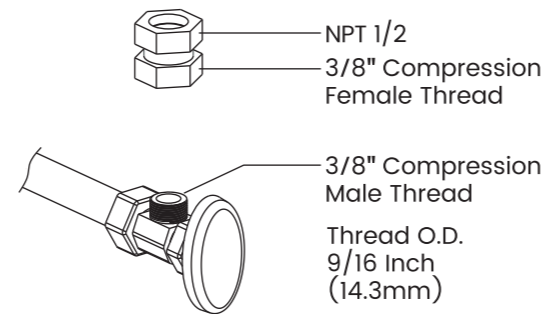
3.2.1 Remove the copper sleeve and nut from the NPT 1/2 valve.

3.2.2 Turn the valve into the water outlet.

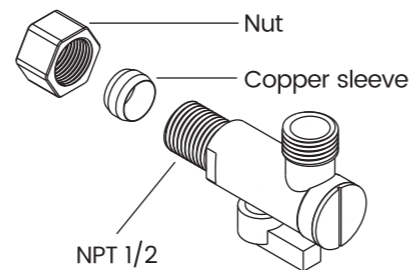


3.3 Installation Method 3:

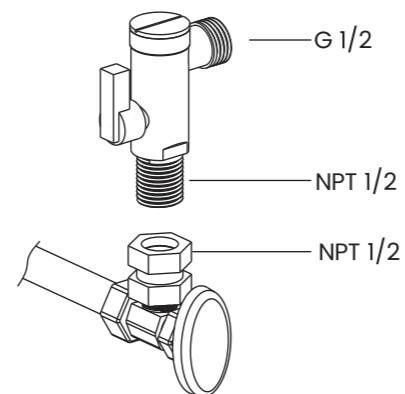
3.3.1 Wrap sealing tape around the 3/8" compression male thread of the valve and screw the adapter onto the valve.



3.3.2 Remove the copper sleeve and nut from the NPT 1/2 valve.

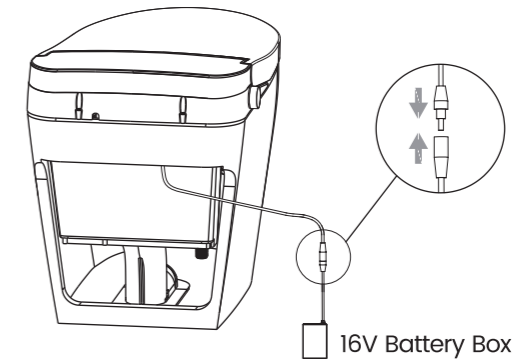


3.3.3 Wrap sealing tape around the NPT 1/2 thread of the valve, and then tighten the valve joint NPT 1/2 location.



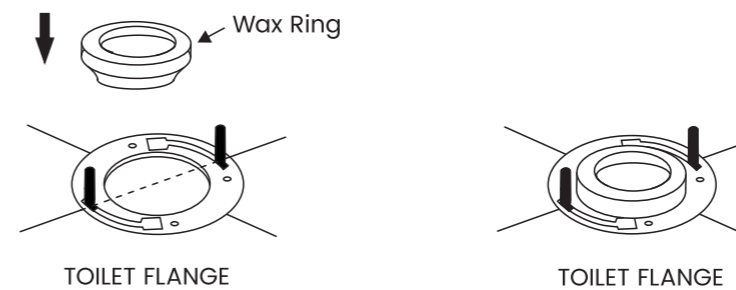
4. Install battery

Open the battery compartment and insert 10 AA batteries. Find the lead wire of the battery box, connect the waterproof plug, and then place the battery box inside the ceramic.



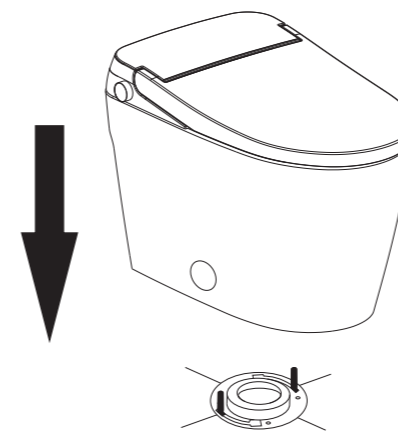
5. Install the wax ring

Put the wax ring on the flange.

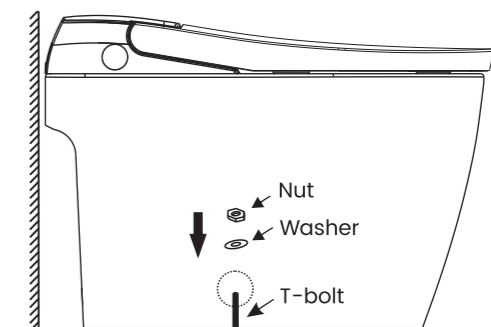


6. Install the toilet

Carefully lower the toilet onto the flange and press firmly to secure it.



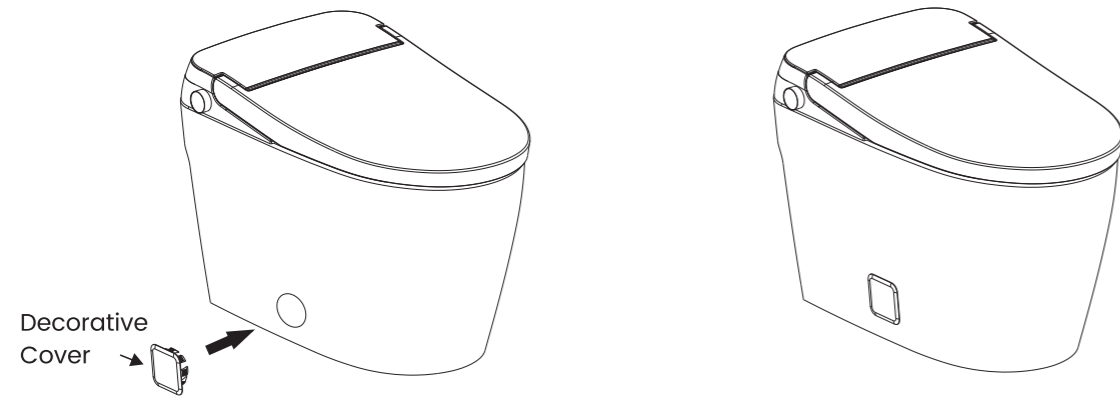
Place the washer and nut onto the T-bolt screw, then tighten securely.



TOILET INSTALLATION

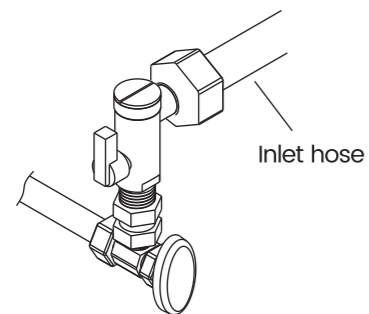
7. Install decorative cover

Cover both sides of the toilet with decorative covers.

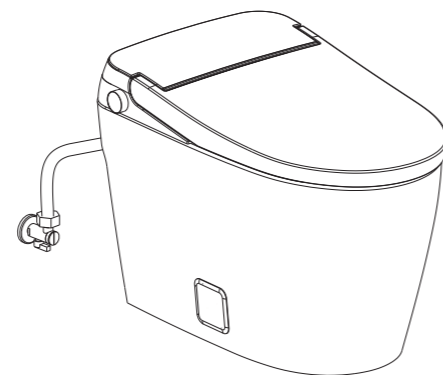


8. Connect the inlet pipe

8.1 Connect the water inlet hose.



8.2 Apply a circle of anti-mold sealing silicone at the junction between the toilet and the floor. After the silicone sealant has solidified, plug in the power and slowly open the angle valve. Adjust the water pressure to within 80 PSI and check all connection points for leaks.

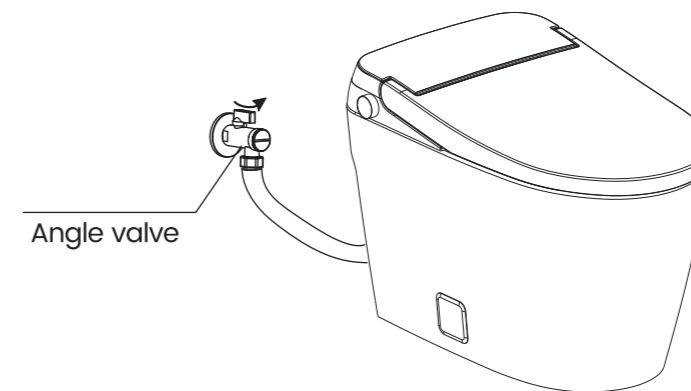


BEFORE USING

1. Turn on the angle valve

- Check the threaded connection to ensure there are no leaks.
- Unscrew the angle valve counterclockwise to fully open it.

(Tips: When opening the angle valve for the first time, the handle may require more torque.)



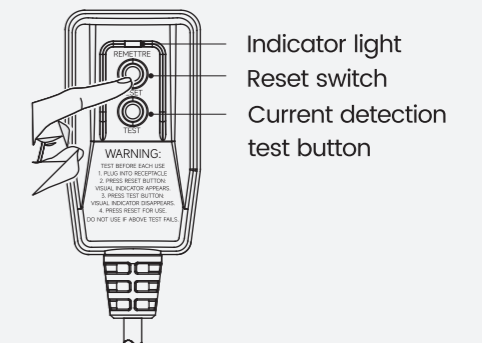
2. Power Connection

Insert the leakage protection plug into the power socket. Press the reset switch. The plug indicator lights up, indicating that the power is on.

Tips:

- Before usage, press the electric leakage test button. The reset switch should pop up, indicating that the leakage protection function is normal.
- Press the TEST button (then the RESET button) every month to ensure proper operation.

Note: Only applicable for models equipped with a leakage protection plug. Please refer to the actual product for details.



3. Self-inspection

- The main unit buzzer rings "beep".
- After another "beep" from the buzzer, self-inspection is complete.
- Proceed to normal function mode for regular usage.

FUNCTION DESCRIPTION

Motion sensor flip (toilet) seat cover

(This feature is unique to the automatic flip toilet)

- Motion sensor flip (toilet) seat cover open and close the seat cover by identifying the proximity/presence/departure of the human body.
- When the human body is approximately 30-60cm away from the toilet, the cover will automatically open.
- When the lid is open, it will automatically close 10 seconds after the user leaves;
- When the seat is open and a person stays in front of the toilet for less than 7 seconds, the toilet will automatically close the seat and lid 10 seconds after the user leaves;
- When the seat is open and a person stays in front of the toilet for more than 7 seconds, the toilet will automatically close the seat and lid and flush 10 seconds after the user leaves.

Foot-sensing lid/seat control

(This function is available only for models with automatic lid opening)

- When the lid is closed, extending a foot near the sensor area will open the lid automatically;
- When the seat is closed, extend your foot towards the sensing area, it will automatically open the seat;
- When the seat is open and a person stays in front of the toilet for less than 7 seconds, extending a foot near the sensor area will close the seat only;
- When the seat is open and a person stays in front of the toilet for more than 7 seconds, extending a foot near the sensor area will close the seat and lid, and then flush automatically.

Automatic Flush After Leave

When the human body is seated for at least five seconds, it will automatically flush after leaving the seat.

Power Outage Flushing

The toilet can be equipped with a backup battery. In the event of a power outage, short press the knob to activate the flushing function.

Energy Saving Mode

When the intelligent toilet is not used for 1 hour, it will automatically enter energy-saving mode, and the seat temperature will automatically adjust to 91°F, entering a low-temperature setting. Upon being seated, it will reheat to the preset temperature.

Pre-Flush (Bowl-Rinsing) Function

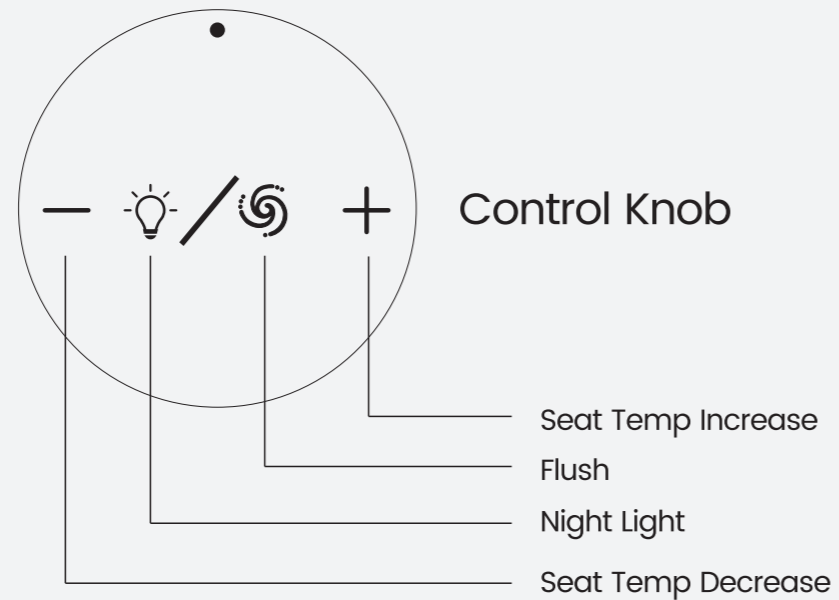
When the user sits on the seat, the toilet automatically activates the ceramic bowl-rinsing function, performing a full pre-flush around the bowl.

FUNCTION DESCRIPTION

Control Knob:

There are 4 functions of the side control knob: **[Flush]**, **[Seat temperature adjustment]**, **[Stop]**, **[Night light]**.

- Rotate the knob clockwise to increase the seat temperature.
- Rotate the knob counterclockwise to decrease the seat temperature.
- Press the knob to flush.
- Press and hold the knob for 3 seconds to power on/off the toilet.
- Rotate the knob clockwise for 3 seconds to turn on/off the night light.

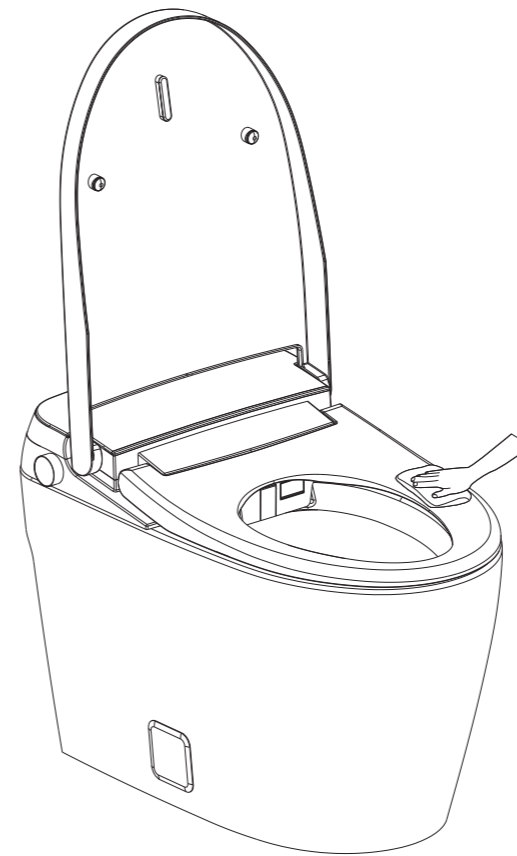


*The above is for reference only. Please select the corresponding function description based on the actual toilet model.

DAILY MAINTENANCE

Main unit care and maintenance

1. Turn off power supply before performing maintenance.
2. Wipe the stain with a soft damp cloth.

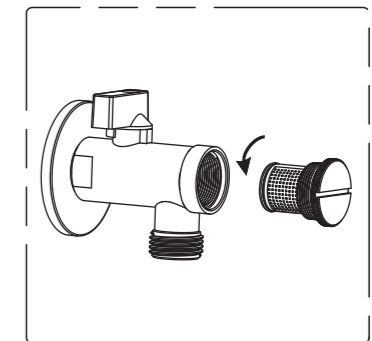


3. After cleaning, reconnect the toilet to the power supply.

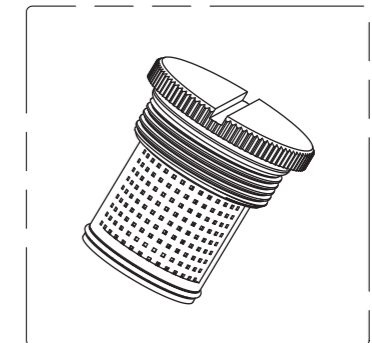
Maintenance of inlet filter screen

Maintenance is required when the system is under normal water pressure but experiencing poor flush performance.

1. Turn off power and the angle valve.
2. Unscrew angle valve nut.




3. Use a brush to clean inlet filter screen.



4. Reinstall inlet filter screen.
5. Turn on the angle valve and reconnect the power. The toilet will return to normal operation after self-inspection.

TROUBLESHOOTING GUIDE

Problem	Cause	Solution
Low seat temperature	The seat temperature is setted on normal temperature level	Reset the seat temperature
Toilet leaking	Close the angle valve, inspect all water pipes, and contact a professional.	
 Caution	If the problems cannot be resolved using the methods above, please turn off the power and the angle valve, then contact service providers for maintenance.	
	If the leakage circuit breaker frequently trips, indicating electrical leakage, turn off the power and the angle valve, then contact the service provider for maintenance.	

Warranty Instructions

If you encounter any malfunction during use, please stop using the product immediately and unplug it. You can directly call our nationwide after-sales service hotline, and our after-sales staff will contact you as soon as possible.

Warning

If the user contacts an unauthorized third-party repair service, any consequences resulting from such action shall be borne by the user.

Product Warranty Regulations

1.If a malfunction occurs within one year from the date of purchase due to proper use, please contact after-sales service and provide the product's SN code or the invoice as valid proof.


2.Situations not covered under the free repair service within the warranty period include:

- ① Damage caused by improper use or storage by the user;
- ② Damage caused by self-installation or self-repair by the user;
- ③ Inability to present valid proof (neither an invoice nor a product SN code), or if the proof is unclear, unverifiable, or has been altered;
- ④ Damage caused by force majeure (e.g., typhoons, snowstorms, hail, earthquakes, mudslides, etc.);
- ⑤ Damage caused by transportation, unloading, or compression.

3.For products that require repair and support after the warranty period has expired, a service fee, labor fee, and material fee will be charged accordingly.

Warranty Receipt

The following receipt is an important proof of warranty. Please do not remove it by yourself.

Product Model:		Dealer:	Purchase Date:
Serial Number:		User Name:	Contact Number:
Purchase Date:		Address:	
Repair Date:		Service Type: <input type="checkbox"/> On-site Service <input type="checkbox"/> Drop-off Repair	
Repair Technician:		Service Center:	Repair Date:
Repair Details:		Fault Description:	Repair Technician:
		Repair Details:	Cause of Fault:
		Product Barcode:	User Signature: